


PRODUCT SHEET

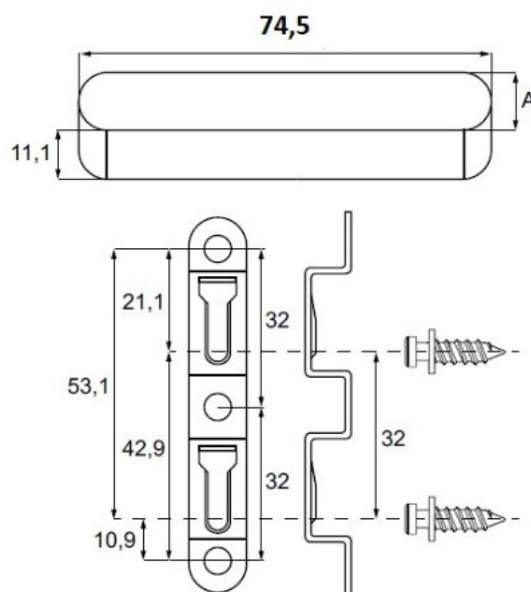
Description:

"INVISIO" Double Clip #5035, F/19mm Panel, Semi Locking

Item number:

11.16.155-0

Units	Box	Carton	HS Code	Barcode
Pcs.	1	1500	8302420090	
5704866017961				



DOUBLE CLIP

Part No.	Description	Panel thickness	Pocket width - A
4036	NON-LOCKING	16 mm	11 mm
4037	SEMI-LOCKING	16 mm	11 mm
4038	LOCKING	16 mm	11 mm
4039	PASS-THRU	16 mm	11 mm
4039A	PASS-THRU	16 mm	11 mm
	SEMI-LOCKING	16 mm	11 mm
5033	NON-LOCKING	19 mm	13,3 mm
5034	LOCKING	19 mm	13,3 mm
5035	SEMI-LOCKING	19 mm	13,3 mm
5039	PASS-THRU	19 mm	13,3 mm
5039A	PASS-THRU	19 mm	13,3 mm
	SEMI-LOCKING	19 mm	13,3 mm

SISO A/S

Mileparken 11
DK-2740 Skovlunde
Denmark
VAT: DK 24786013

Phone +45 45 830 900

www.siso.dk
siso@siso.dk

Danske Bank
Nytorv Branch
Copenhagen
SWIFT: DABADKKK

Account no.
4180 3112 112936
IBAN Account
DK7230003112112936